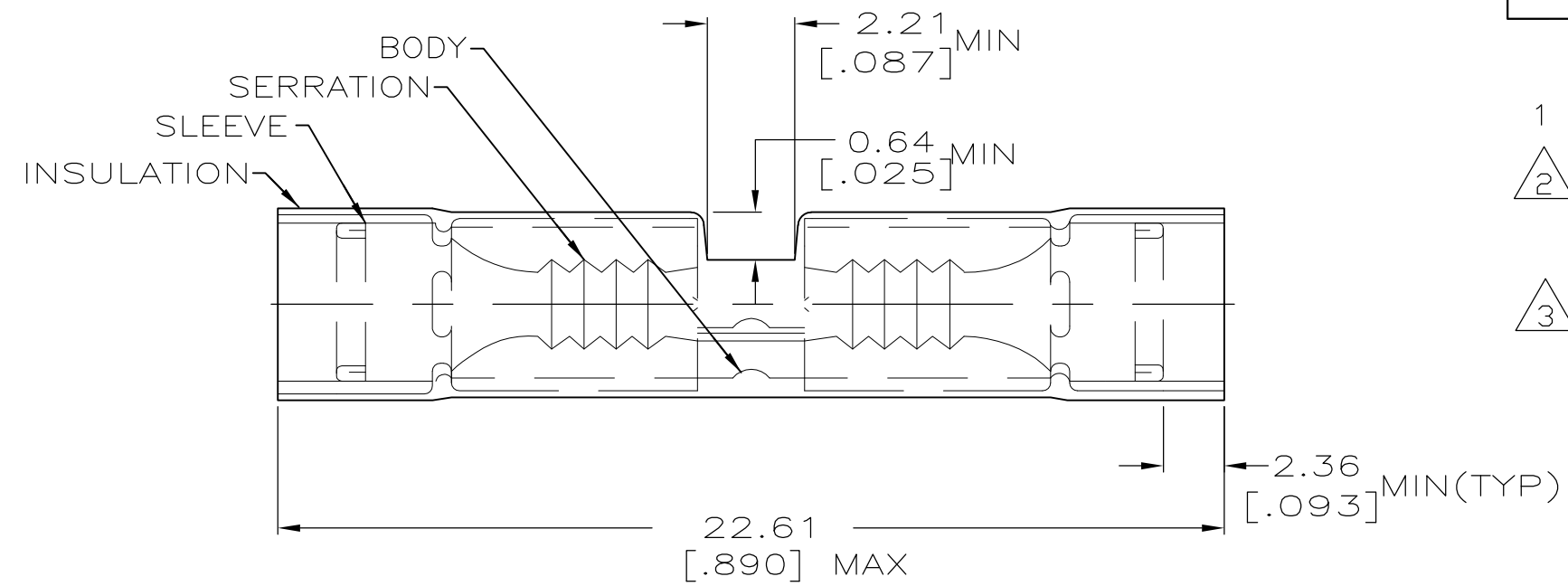


THIS DRAWING IS UNPUBLISHED. RELEASED FOR PUBLICATION
 © COPYRIGHT - By - ALL RIGHTS RESERVED.

LOC	DIST	REVISIONS			
P	LTR	DESCRIPTION	DATE	DWN	APVD
G	14	T3	REVISED PER ECO-11-004820	11MAR11	RK HMR

AMP WIRE RANGE	MILITARY WIRE RANGE
26-22 AWG STRANDED	26-24 AWG STRANDED



- 1 WIRE INSULATION DIA 1.27-2.08 [.050-.082]
- 2 MATERIAL, BODY - COPPER PER ASTM B-152
SLEEVE - COPPER PER ASTM B-152
INSULATION - NYLON -COLOR - YELLOW
- 3 PRELIMINARY - NOT FOR PRODUCTION

MILITARY P/N & CLASS PER MIL-T-7928	QTY	PACKAGE TYPE	PART NO
--	25	LOOSE PIECE, BOX	8-323994-3
--	50	LOOSE PIECE, BOX	8-323994-2
--	100	LOOSE PIECE, BOX	3 8-323994-1
--	50	LOOSE PIECE	2-323994-2
--	4000	ON TAPE, REEL	2-323994-1
26-24 M7928/5-1 CLASS 1 & 2	50	LOOSE PIECE	323994

AMP INCORPORATED CUSTOMER SERVICE SYSTEMS		MAX RECOMMENDED OPERATING TEMPERATURE: 105°C [221°F]	THIS DRAWING IS A CONTROLLED DOCUMENT.		DWN S.S. GOULDEN 9-28-93	TE Connectivity				
FOR ADDITIONAL PRODUCT INFORMATION OR COPIES OF DRAWINGS AND TECHNICAL DOCUMENTS	PRODUCT INFORMATION CENTER 1-800-522-6752	VOLTAGE RATING: -	DIMENSIONS: mm [INCHES]	TOLERANCES UNLESS OTHERWISE SPECIFIED:	CHK R. HERSEY 9-28-93			NAME SPLICE, BUTT, PIDG, WIRE SIZE 26-22 AWG		
FOR APPLICATION TOOLING INFORMATION	TOOLING ASSISTANCE CENTER 1-800-722-1111	CIRCULAR MIL AREA: 0.10-0.41mm² [202-810] STRANDED			APVD M. ELLIS 9-28-93	PRODUCT SPEC				
FOR ORDER ENTRY	1-800-526-5142	THIS DRAWING IS A CONTROLLED DOCUMENT FOR AMP INCORPORATED. IT IS SUBJECT TO CHANGE AND THE CONTROLLING ENGINEERING ORGANIZATION SHOULD BE CONTACTED FOR THE LATEST REVISION.	MATERIAL 2	FINISH TIN PL PER ASTM B-545	APPLICATION SPEC	SIZE A3	CAGE CODE 00779	DRAWING NO C-323994	RESTRICTED TO	
					WEIGHT -	CUSTOMER DRAWING		SCALE NTS	SHEET 1 OF 1	REV T3